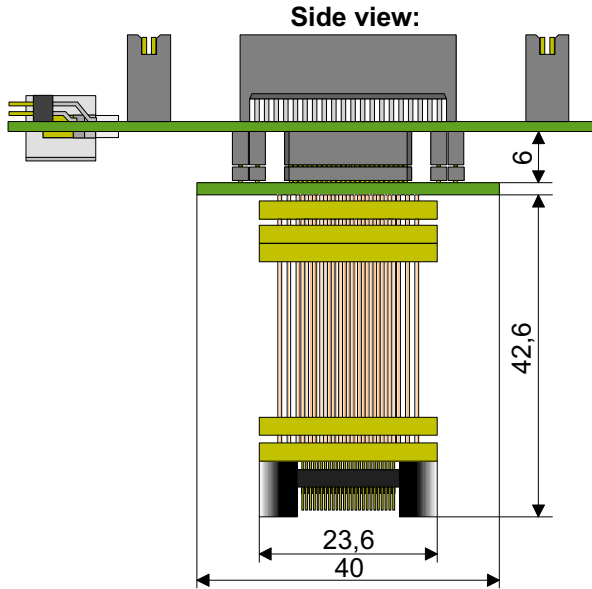


**Adapter Set for ST Microelectronics ST10F25x  
with TQFP-100 Tokyo Eletech Socket**

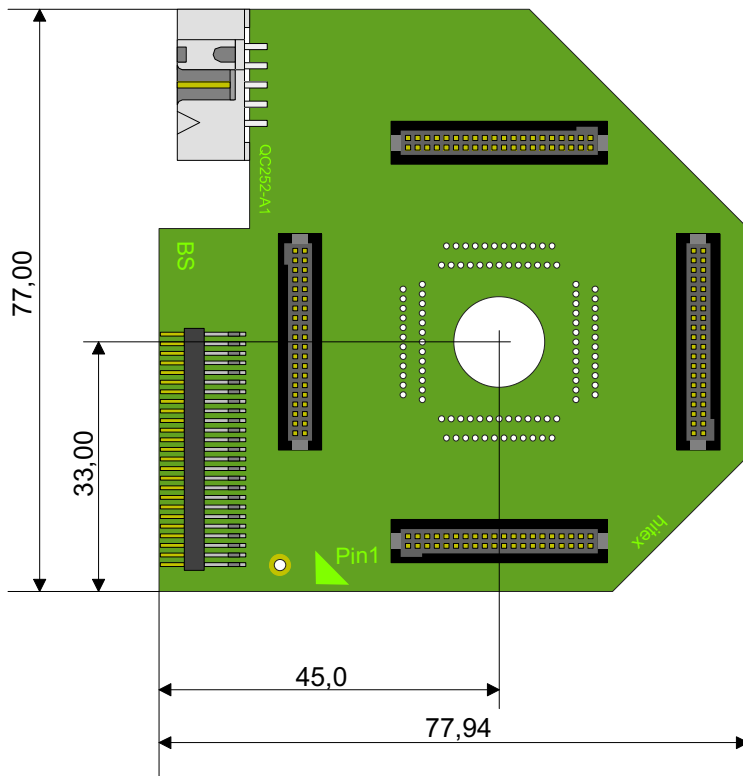
**Adapter Set Tokyo Eletech-0.50 ST10F25x QC144-TQFP100  
Part No. DZS-F25x-T100-TET**

Top Connection : QC144 for DProbeST10

Bottom Connection : TQFP-100 Tokyo Eletech Socket or NQPACK100SD-SL (recommended)  
NQPACK100SD



**Configurator Top view:**



Note : In order to stabilize the socket and to protect the solder pads on the target board, the NQPACK socket NQPACK100SD-SL with long screws should be used.